

**RE14 (A946)**

**Section 1. Part Location and List**

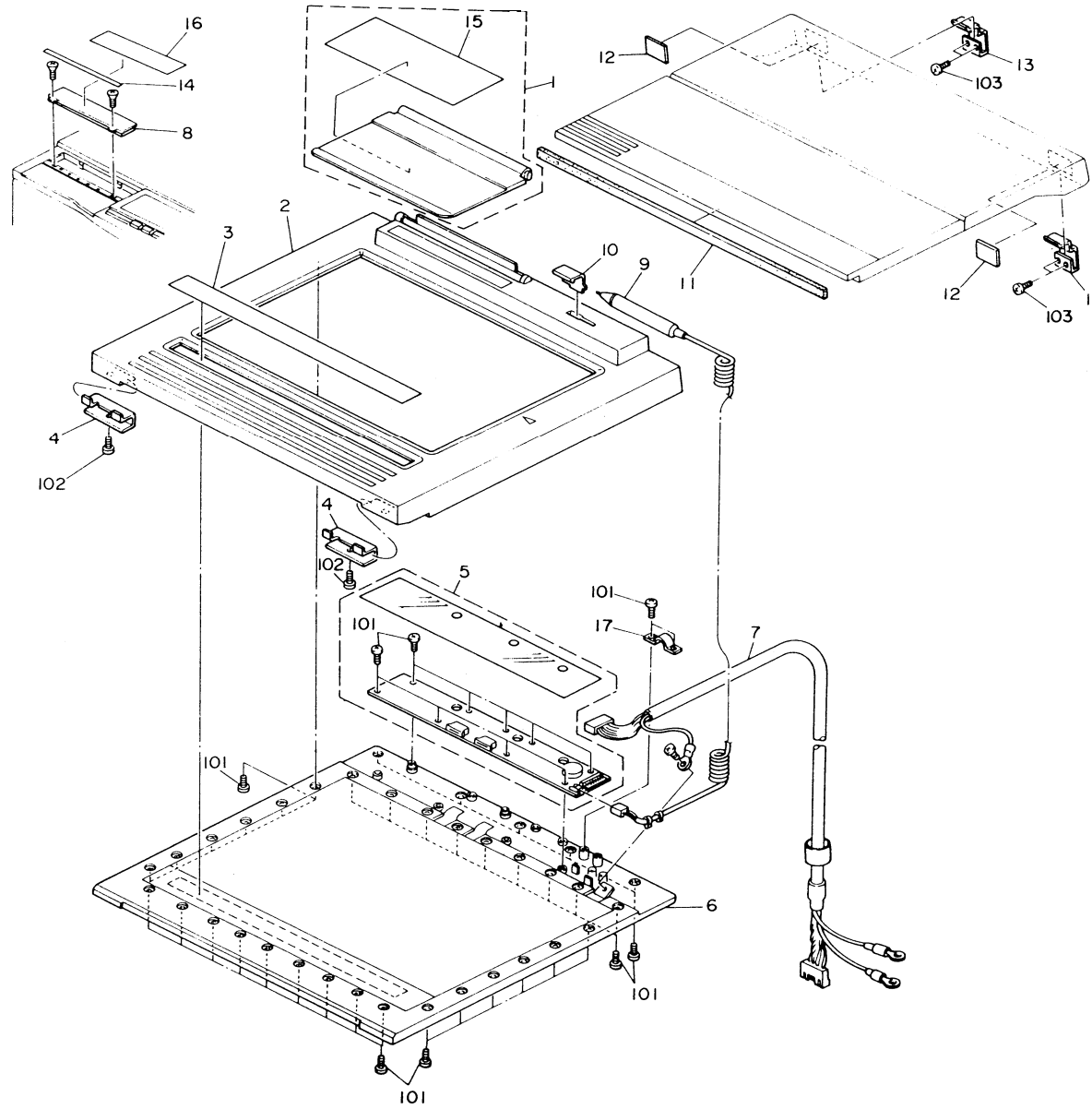
1. Editor Board (A946) ..... 1 – 2

2. Decal & Document (A946) ..... 1 – 4

**Section 2. Parts Index** ..... 2 – 1

# 1. EDITOR BOARD (A946)

January 25, '90



# 1. EDITOR BOARD (A946)

January 25, '90

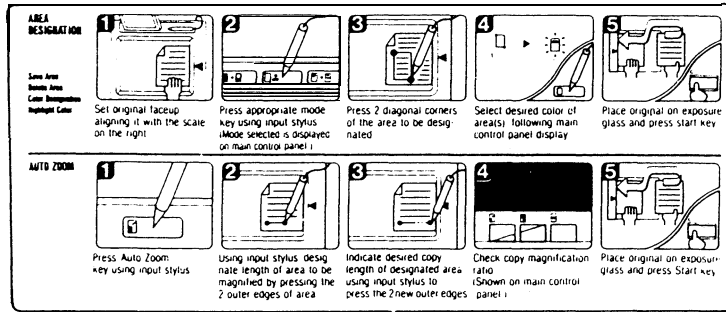
Index No.	Parts No.	Description	Q'ty Per Assembly
1	A946 1112	Original Cover - LT	1
1	A946 1122	Original Cover - A4	1
2	A916 1002	Upper Cover	1
3	A946 1114	Operation Sheet - LT	1
3	A946 1124	Operation Sheet - A4	1
4	A916 1051	Front Stopper	2
5	A946 5105	Main Control Board	1
6	A916 1006	Lower Cover	1
6	A916 1007	Lower Cover - A4	1
7	A946 5102	Editor Harness	1
8	A946 5100	Indicator Unit	1
9	A916 5110	Pen	1
10	A916 1030	Pen Holder	1
11	A946 1058	Cushion - 513 x 22 x 15	1
12	A916 1053	Support Stopper	2
13	A916 1052	Rear Stopper	2
14	A030 1478	Panel Sheet - Small - LT	1
14	A030 1480	Panel Sheet - Small - A4	1
15	A946 1113	Decal - Operation Guide - LT	1
15	A946 1123	Decal - Operation Guide - A4	1
16	A946 1118	Indicator Panel Sheet - LT	1
16	A946 1128	Indicator Panel Sheet - A4	1
17	A916 5125	Harness Stopper	1

Index No.	Parts No.	Description	Q'ty Per Assembly
101	0802 5136	Tapping Screw - M2.6 x 6	
102	0802 5094	Tapping Screw - M4 x 8	
103	0434 0060W	Tapping Screw - M4 x 6	

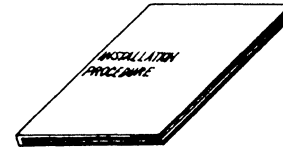
## 2. DECAL& DOCUMENT (A946)

January 25, '90

1



2



## 2. DECAL& DOCUMENT (A946)

Index No.	Parts No.	Description	Qty Per Assembly
1	A946 1113	Decal - Operation Guide - LT	1
1	A946 1123	Decal - Operation Guide - A4	1
1	A946 1126	Decal - Operation Guide - 4 Languages	1
2	A946 8610	Installation Procedure - English	1
2	A946 8615	Installation Procedure - 5 Languages	1

--	--	--	--